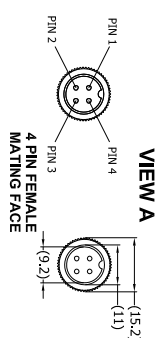
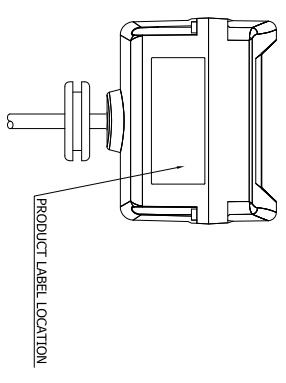
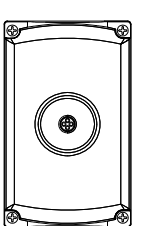
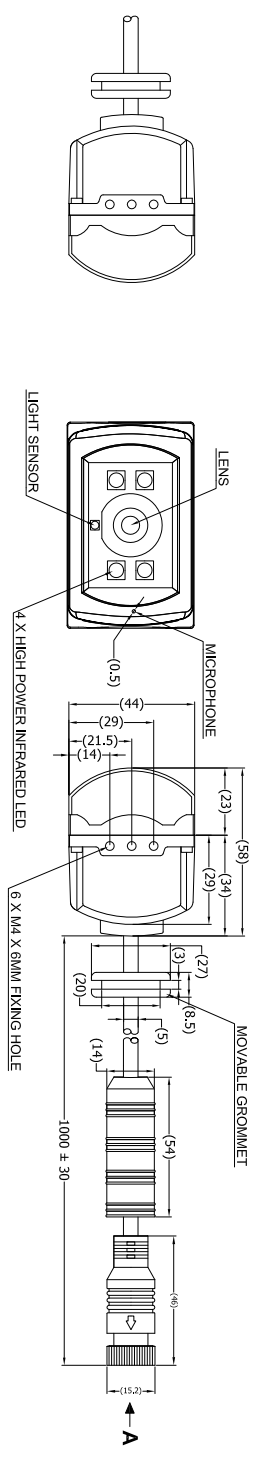
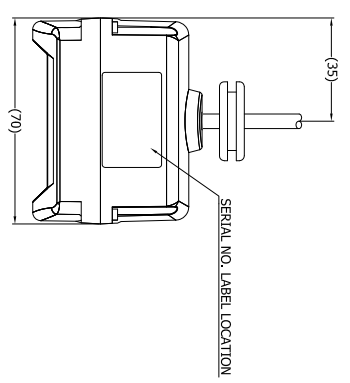


Revision Notes			
R1 -			
AP.A: -	Drawn:-	Checked:-	Approved:-
			Date:-



PIN #	WIRE COLOUR	DESCRIPTION
1	RED	+12V
2	BLACK/SHEILD	GND
3	WHITE	AUDIO
4	YELLOW	VIDEO

- NOTES:
1. FINISH IS BLACK.
 2. FOR PRODUCT LABEL REFER TO LATEST REVISION OF DRAWING BE-003344-XX-16.
 3. FOR PRODUCT SERIAL NUMBER LABEL REFER TO LATEST REVISION OF DRAWING BE-001323-XX-10.

PROPRIETARY NOTICE

THIS DESIGN AND TECHNICAL INFORMATION APPEARING ON THIS DRAWING IS THE PROPERTY OF BRIGADE ELECTRONICS, AND IS DISCLOSED IN CONFIDENCE. IT IS NOT TO BE COPIED, REPRODUCED, REVEALED TO OR EXPLOITED BY OTHERS, EITHER IN WHOLE OR IN PART WITHOUT THE EXPRESS WRITTEN CONSENT OF BRIGADE ELECTRONICS.



<p>Angle of Projection</p> <p>Third Angle</p>	Assembly PI Approval YILING ZHANG (27/07/16)		Approved by B.JOHN		Checked by RBATES		Drawn by MBUTLER	
	Status RELEASED		Scale N/A		Released 27/07/16		Assembly Ref VBV-701C-C	
Part No 3287C		BE-003355-00-16						

H
G
F
E
D
C
B
A

H
G
F
E
D
C
B
A

1 2 3 4 5 6 7 8

Frame V3